



The magic life in the image world

# E-IMAGE

User's Manual

## NINGBO EIMAGE STUDIO EQUIPMENT CO.,LTD

Add : No.373 South Hangyong Road,Luotuo Industry Zone,Zhenhai,  
Ningbo,China 315202

Tel :0574-86590031 86590061

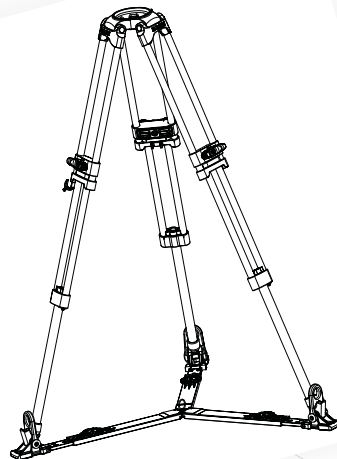
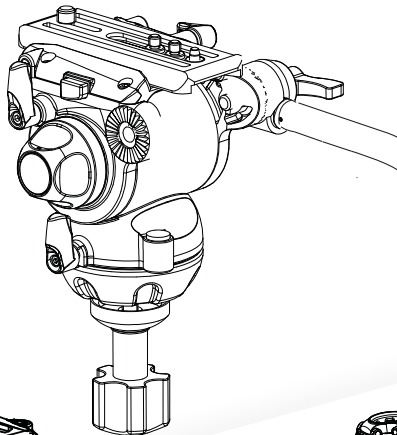
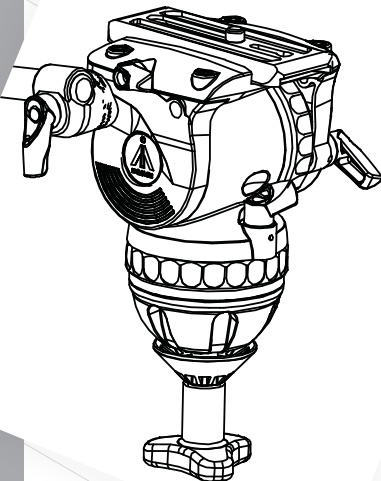
Fax :0574-86590078

E-mail:sales@eimagevideo.com

<http://www.eimagevideo.com>



**E-IMAGE**



**All for you**



Thanks for your purchasing E-IMAGE professional heads and tripods. As the manual is an important part of the equipment and is aimed at personnel who operate and maintain the equipment. It contains detail information about the EIMAGE heads and tripods and its proper use. We intensely suggest you to read the manual carefully, to familiarize yourself with its many functions. It also includes a section about safety and maintenance, which will help you keep the equipment in perfect condition and prolong the using period.

Please keep this manual for future reference.



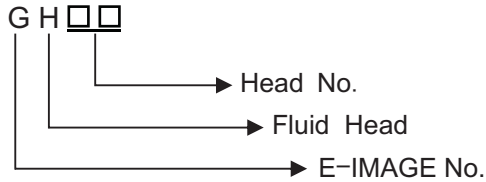
EIMAGE GENTING series is upgraded generation of EIMAGE fluid heads. More international outlook, innovative design, with more advanced functions. It also features refined counterbalance and superb drag system, which can reach balancing quickly and simply. The new series can handle wider range payload from 8.8lbs to 55lbs (4kg-25kg), which can work with different types of cameras. An extendable panhandle with rubber grips is included for precise camera movements. In addition, it is equipped with an LED bubble level for easy level adjustments in the dark.



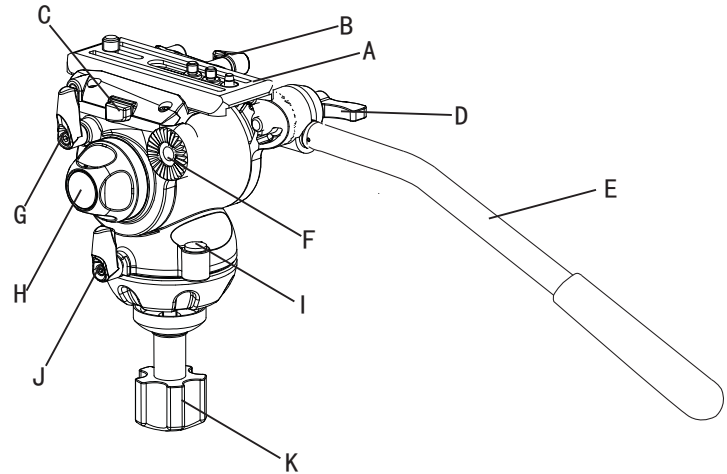
<b>Fluid head specification</b> .....	1
<b>Parts(GH03)</b> .....	2
<b>Set up &amp; Use (GH03)</b> .....	3-5
1. Install Panbar.....	3
2. Remove quick release plate.....	3
3. Adjusting tilt position.....	4
4. Adjusting pan position.....	4
5. Pan & Tilt drag adjustment.....	4
6. Mounting the camera.....	5
7. Extra functions of GH03,GH06 plate.....	6
<b>Parts(GH06-GH25)</b> .....	7
<b>Set up &amp; Use(GH06-GH25)</b> .....	8-12
1. Installing Panbar.....	8
2. Installing fluid head to tripod.....	8
3. Removing quick release plate.....	8
4. Mounting the Camcorder.....	9
5. Mounting the camera.....	9-10
6. Adjusting counterbalance.....	11
7. Adjusting tilt drag .....	11
8. Adjusting pan drag.....	12
9. Change of the batteries (GH08/08L/10/10L).....	13
10. Change of the batteries (GH15,GH25).....	14



<b>Tripod specification</b> .....	15-16
<b>Parts(AT7402A)</b> .....	17
<b>Use AT7402A</b> .....	18-19
1. Loose & lock leg tube.....	18
2. Adjusting tripod height.....	18
3. Anti-slide rubber feet.....	18
4. Floding tripod.....	19
<b>Parts(GA/GC101)</b> .....	20
<b>Parts(GA/GC102)</b> .....	21
<b>Parts(GA/GC751 GA/GC752)</b> .....	22
<b>Use(GA/GC751 GA/GC752 GA/GC101 GA/GC102)</b> .....	23-24
1. Loose & lock leg tube.....	23
2. Adjust middle spreader.....	23
3. Adjust ground spreader.....	23
4. Remove mid-level spreader.....	24
5. Install & Remove ground spreader.....	24
6. Floding tripod.....	24
<b>Maintenance</b> .....	25
<b>Notice &amp; Warning</b> .....	26



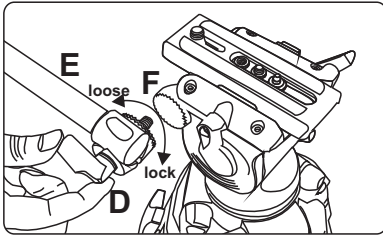
Model No.	Bowl size	Net weight	Load capacity	Grades of drag	Counterbalance	Tilt range	Temperature range
GH03	75mm	1kg	4kg	Variable	Instable	+90° ~ -60°	-40°C ~ 80°C
GH05	75mm	1.7kg	3-8kg	Instable	0-2	+90° ~ -45°	-30°C ~ 60°C
GH06	75mm	1.6kg	6kg	0-3	0-5	+90° ~ -60°	-40°C ~ 80°C
GH08	75mm	1.7kg	8kg	Instable	0-6	+90° ~ -60°	-40°C ~ 80°C
GH10	75mm	1.9kg	10kg	0-3	1-7	+90° ~ -60°	-40°C ~ 80°C
GH10L	100mm	2kg	10kg	0-3	1-7	+90° ~ -60°	-40°C ~ 80°C
GH15	100mm	3.7kg	15kg	0-5	0-9	+90° ~ -75°	-40°C ~ 80°C
GH20	100mm	3.8kg	20kg	Instable	0-8	+90° ~ -60°	-30°C ~ 60°C
GH25	100mm	4kg	25kg	0-7	1-15	+90° ~ -80°	-40°C ~ 80°C



- A ..... Quick release plate
- B ..... Plate locking knob
- C ..... Insurance button
- D ..... Pan bar locking knob
- E ..... Pan bar
- F ..... Connection part of pan bar & head
- G ..... Tilt locking knob
- H ..... Tilt drag adjusting knob
- I ..... Bubble level
- J ..... Pan locking knob
- K ..... Bowl locking knob

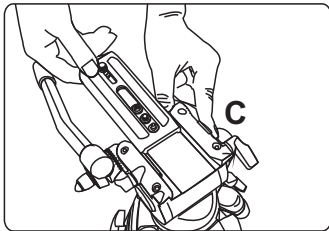
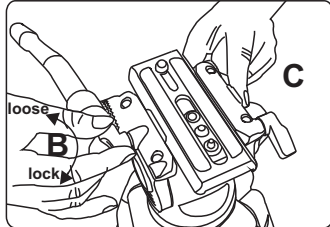
### 1. Install Panbar

Open the panbar, adjust the panbar to your request position, then screwing the panbar knob "D" to "F" hole, and lock it.



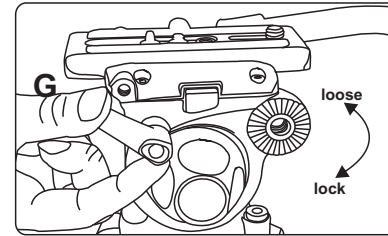
### 2. Removing quick release plate

Loose plate locking knob "B", pull the slide plate to the rear of the fluid head whilst pressing the safety button "C".



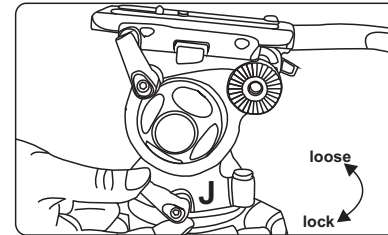
### 3. Adjusting tilt position

Lock or Loose locking knob "G" to adjust tilt position.



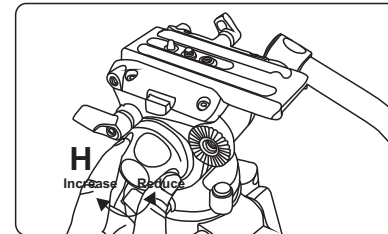
### 4. Adjusting pan position

Lock or Loose locking knob "J" to adjust pan position.

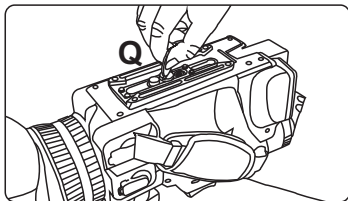


### 5. Pan & Tilt drag adjustment

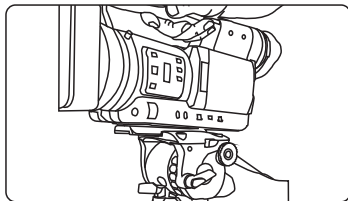
Screwing or loose tilt locking knob "H", then slowly move the fluid head vertically until find your required drag. (GH03 is with fixed pan drag)



6. Attach the slide plate to the camcorder, screwing camera 1/4" screw or 3/8" screw into the camcorder's threaded hole WITHOUT APPLYING FORCE (such as using a coin).

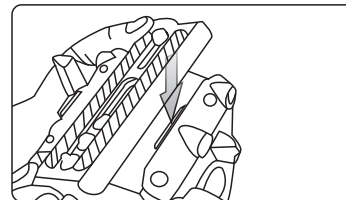


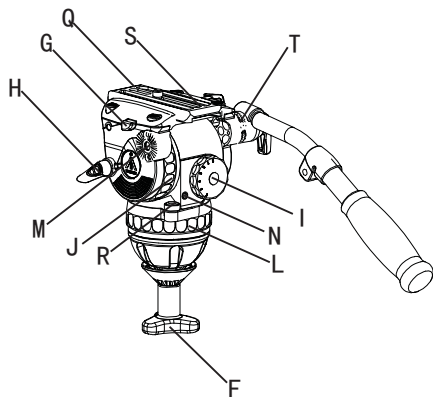
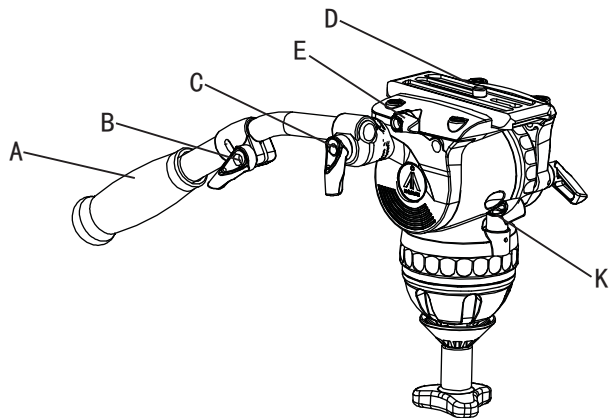
7. Please make sure pan & tilt knob are locked. Hold the camera with one hand. Insert the slide plate onto the rear of the platform until locking button "C" clicks. Adjust the center of gravity to right position, the lock the plate tightly.



### 8. Extra functions of GH03, GH06 plate

With special design, the plate of GH03, GH06 have special function as quick action, just with one press as shown, the plate can be mounted on the platform tightly.

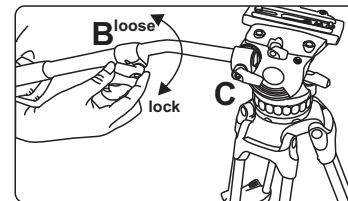
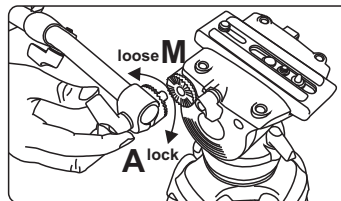




- A.....Pan bar
- B.....Length adjusting knob
- C.....Pan bar locking knob
- D.....1/4" & 3/8" screw
- E.....Plate locking knob
- F.....Bowl locking knob
- G.....Insurance button
- H.....Tilt locking knob
- I.....Counterbalance knob
- J.....Tilt drag adjusting knob
- K.....Pan locking knob
- L.....Pan drag adjusting knob
- M.....Connection part of handle&head
- Q.....Quick release plate
- R.....Bubble level
- S.....Rubber washer
- T.....Pan bar locking washer

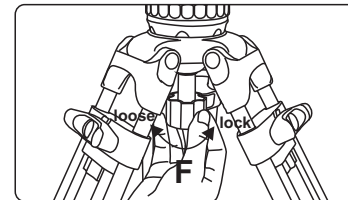
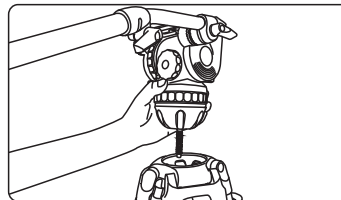
### 1. Installing Panbar

Open the panbar, screwing the panbar knob "A" to "M" hole, and lock it. Loose knob "B", you can extend the length and adjust the pan bar angle, that you like.



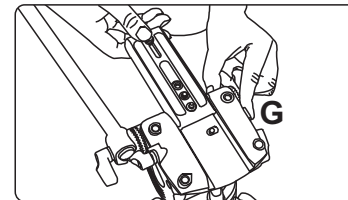
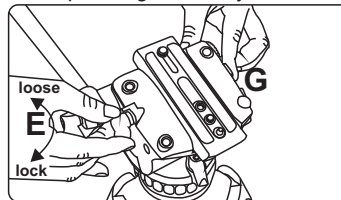
### 2. Installing fluid head to tripod

Please adjust the tripod to your required height and lock every stage tightly. Put the head on the tripod, level the fluid head using the bubble level. Then tighten the bowl locking knob "F".



### 3. Removing quick release plate

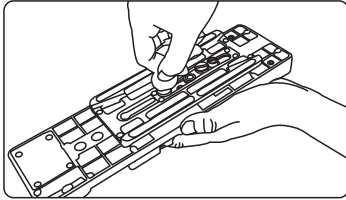
Loose plate locking knob "E", pull the slide plate to the rear of the fluid head whilst pressing the safety button "G".



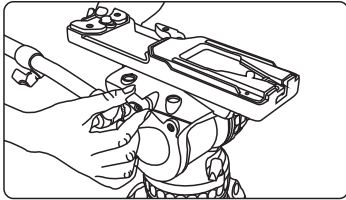


#### 4. Mounting the camcorder via adapter

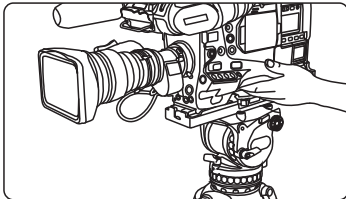
**4.1** Attach the slide plate to the camcorder adapter, screwing camera 1/4" screw or 3/8" screw into the camcorder adapter's threaded hole **WITHOUT APPLYING FORCE**(such as using a coin).



**4.2** Insert the plate into the plate mount.

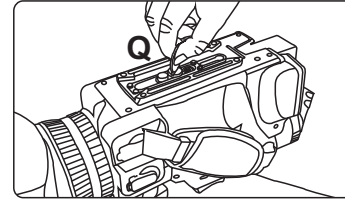


**4.3** Please make sure pan & tilt knob are locked. Insert the slide plate onto the rear of the platform until locking button "C" clicks, then lock the plate. Amount the camcorder on the adapter. Loose plate locking knob, adjust the center of gravity to right position, the lock the plate tightly.

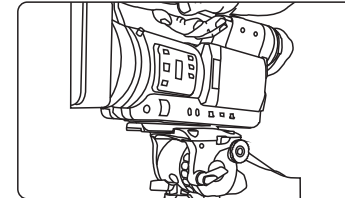


#### 5. Mounting the camera

**5.1** Attach the slide plate to the camcorder, screwing camera 1/4" screw or 3/8" screw into the camcorder's threaded hole **WITHOUT APPLYING FORCE**(such as using a coin).

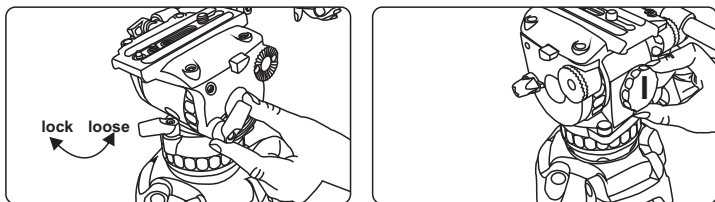


**5.2** Please make sure pan & tilt knob are locked. Hold the camera with one hand. Insert the slide plate onto the rear of the platform until locking button "C" clicks. Adjust the center of gravity to right position, the lock the plate tightly.



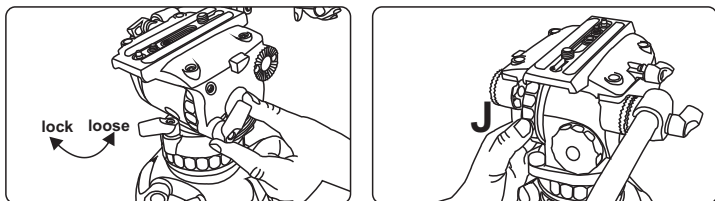
## 6. Adjusting counterbalance

Loose the tilt locking knob. Hold the camera by securing the pan bar. Turn the counterbalance dial to that number which can make camera remaining in position with hands free.



## 7. Adjusting tilt drag

Loose tilt locking knob, turn the tilt drag dial to the required setting , then slowly move the fluid head vertically until find your required drag  
(PS: GH08 & GH08L are with fixed tilt drag)

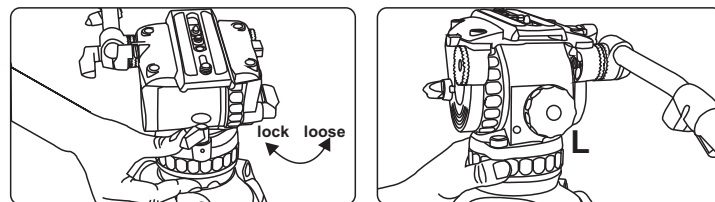


## 8. Adjusting pan drag

Loose pan locking knob, turn the pan drag dial to the required setting , then slowly move the fluid head horizontally until find your required drag.

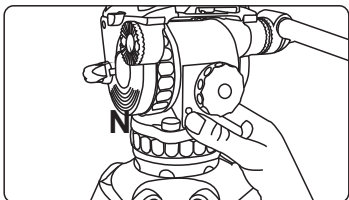
Please make sure you always turn the dia to index number, NOT between the two index, or it will damage the inner pins or disks .

(PS: GH08, GH08L are with fixed pan drag)

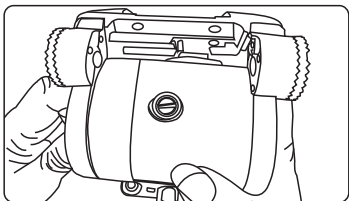


**9. Change of the batteries (GH08, GH08L ,GH10,GH10L)**

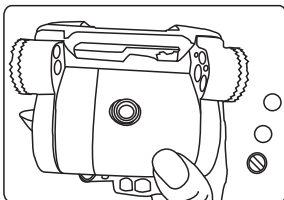
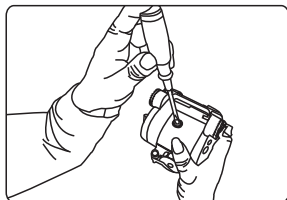
**9.1** Illuminated leveling bubble. Just press the illuminous button "N" when shooting at the night, lamp will be illuminated and turn off after 25 s automatically.



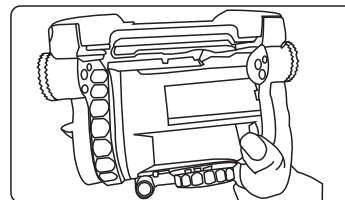
**9.2** Change battery of illuminated leveling bubble (GH08,GH08L, GH10, GH10L)  
The illumination is powered by 2 standard type button cells located in the battery holder. Turn the counterbalance and tilt drag dial to "0" position, Press the pan bar until you find the battery holder, lock the tilt locking knob.



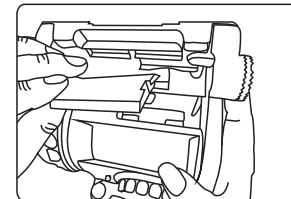
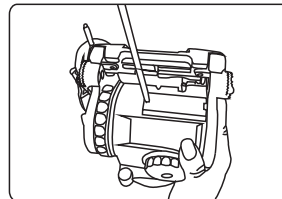
**9.3** Please loose the cover and take out old ones. Insert 2 new button cells according to the "+" and "-" symbols as indicated.

**10. Change of the batteries (GH15,GH25)**

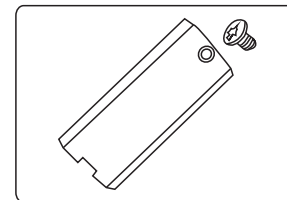
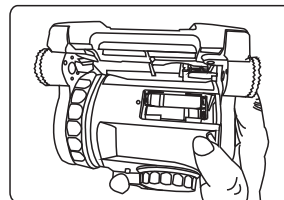
**10.1** Change battery of illuminated leveling bubble (GH15,GH25)



**10.2** The illumination is powered by 2 standard type 7# batteries located in the battery holder. Turn the counterbalance and tilt drag dial to "0" position, Press the pan bar until you find the battery holder, lock the tilt locking knob.

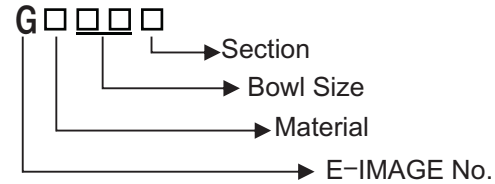


**10.3** Please loose the cover and take out old ones. Insert 2 new 7# batteries according to the "+" and "-" symbols as indicated.



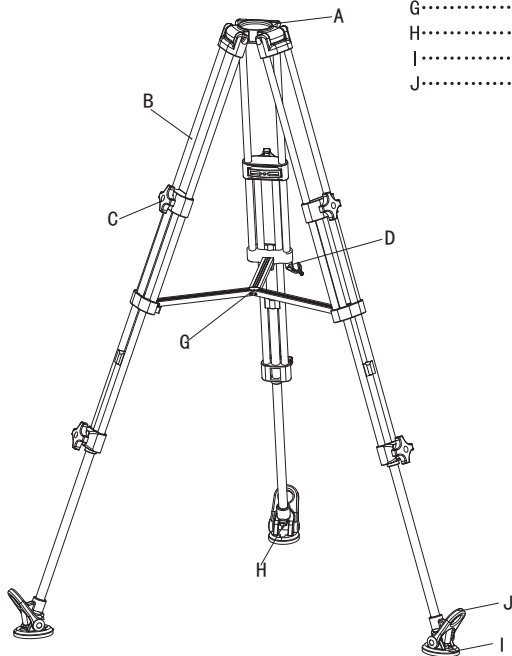


EIMAGE GENTING series is upgraded generation of EIMAGE tripods. The tripod legs are all made up of high grade aluminum or carbon fiber material. With newly designed lock system and patent locking mechanism, it provides excellent hand feeling, quick and secure locking. With standard 75mm or 100mm bowl, you can attach any professional video heads on the tripods. All tripods can match with mid spreader or ground spreader, just up to your needs. They also can be installed on dollies to provide fast moving. The new tripods are compact when closed, easy to transport with carrying case.



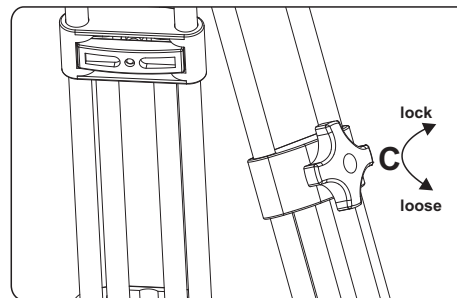
Model No.	Bowl Size	Description	Height Range	Transport length	Weight	Payload rang
AT7402A	75mm	Two stage Aluminum	650-1510mm	695mm	3.3kg	40kg
GA751	75mm	Single stage Aluminum	780-1380mm	820mm	2.9kg	40kg
GC751	75mm	Single stage carbon fiber	780-1380mm	820mm	2.6kg	40kg
GA752	75mm	Two stage Aluminum	630-1570mm	720mm	3.5kg	40kg
GC752	75mm	Two stage carbon fiber	630-1570mm	720mm	3.2kg	40kg
GA101	100mm	Single stage Aluminum	790-1400mm	845mm	4.4kg	60kg
GC101	100mm	Single stage carbon fiber	790-1400mm	845mm	3.7kg	60kg
GA102	100mm	Two stage Aluminum	470-1600mm	730mm	4.9kg	60kg
GC102	100mm	Two stage carbon fiber	470-1600mm	730mm	4.4kg	60kg

- A..... Bowl base  
 B..... Leg tube  
 C..... Locking knob  
 D..... Retractable easy hook  
 G..... Mid spreader  
 H..... Foot with spike  
 I..... Anti-slide rubber pad  
 J..... Pad-removing tab



### 1. Loose & lock leg tube

Loose: turn locking knob "C" anti-clockwise  
 Lock: turn locking knob "C" clockwise



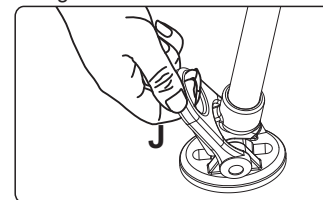
❗ Important message: before unfold the tripod, please loose all the locking knobs "C", then adjust it to your requested length and lock it,

### 2. Adjusting tripod height

Loose all the locking knobs and extend the legs to your request height, then lock knobs tightly.

### 3. Anti-slide rubber feet

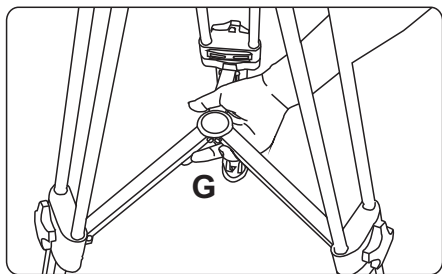
Illustration as follow pictures, pull the pad-removing tab "J", separate anti-sliding pad with leg.



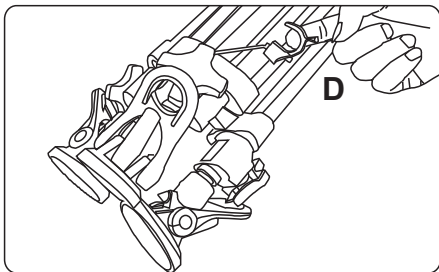
❗ Important message: this spike foot is used for out door shooting

#### 4. Folding tripod

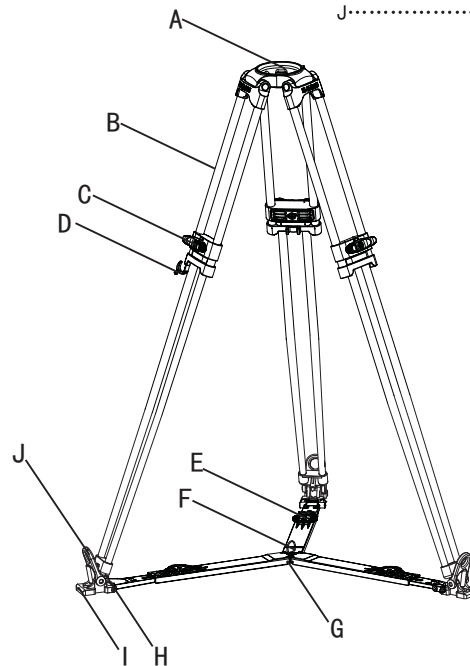
a: Loose the locking knobs of each stages and adjust the legs to minimum length, then locking all the knobs.



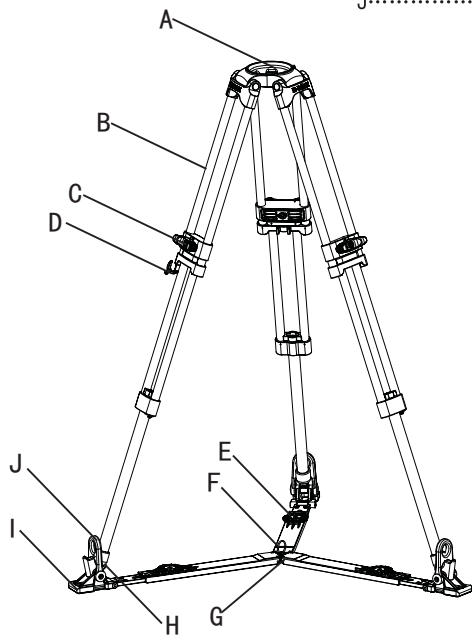
b: One hand catch the bowl base, another hand pull the middle spreader "G" and fold it. Then pull out retractable easy hook "D" and wrap around legs and bind them together.



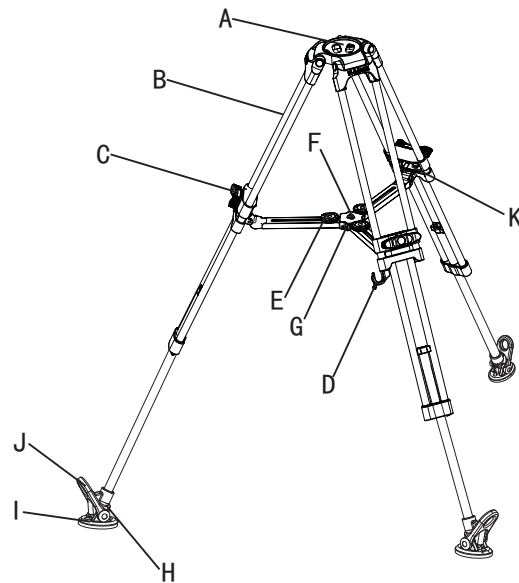
- A..... Bowl base
- B..... Leg tube
- C..... Patent united lock for two-stage lock
- D..... Retractable easy hook
- E..... Locking knob of ground spreader
- F..... Pull ring
- G..... Ground spreader
- H..... Foot with spike
- I..... Anti-slide rubber pad
- J..... Pad-removing tab



- A..... Bowl base
- B..... Leg tube
- C..... Patent united lock for two-stage lock
- D..... Retractable easy hook
- E..... Locking knob of ground spreader
- F..... Pull ring of mid-level spreader
- G..... Ground spreader
- H..... Foot with spike
- I..... Anti-slide rubber pad
- J..... Pad-removing tab

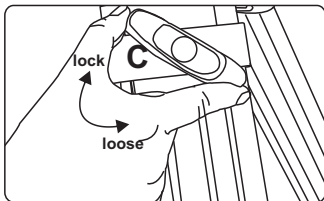
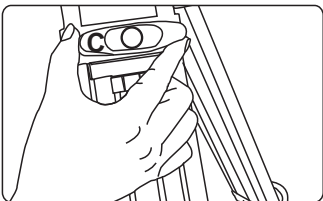


- A..... Bowl base
- B..... Leg tube
- C..... Patent united lock for two-stage lock
- D..... Retractable easy hook
- E..... Locking knob of mid-level spreader
- F..... Pull ring of mid-level spreader
- G..... Mid-level spreader
- H..... Foot with spike
- I..... Anti-slide rubber pad
- J..... Pad-removing tab
- K..... Mid-level spreader removing button



### 1. Loose & lock leg tube

Loose: turn the locking knob "C" anti-clockwise  
 Lock: turn the locking knob "C" clockwise until tight



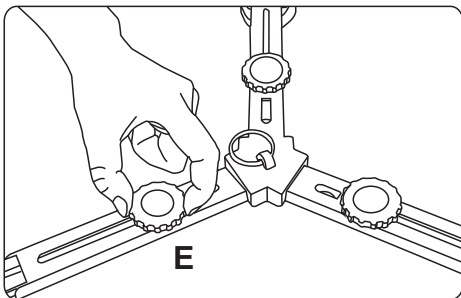
- ❗ Important message: Adjust tripod height  
 Loose all the locking knobs and extend the legs to your request height, then lock knobs tightly.

### 2. Adjust middle spreader

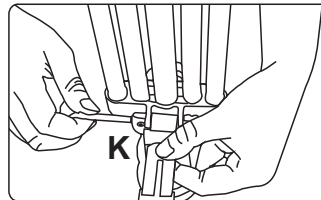
Loose the locking knob "E" of each arm by turning anti-clockwise, extend the arm to your request length, then re-lock it.

### 3. Adjust ground spreader

Loose the locking knob "E" of each arm by turning anti-clockwise, extend the arm to your request length, then re-lock it.

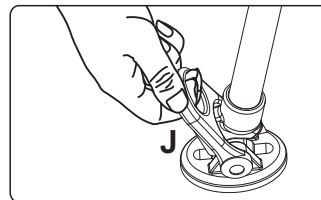
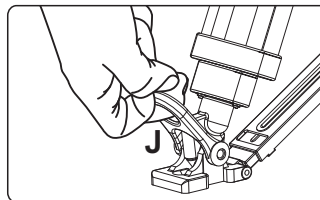


4. If you don't need mid-level spreader, pull out the locking bolts "K" of 3 arms and remove it.



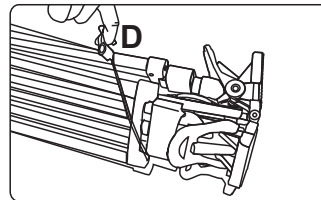
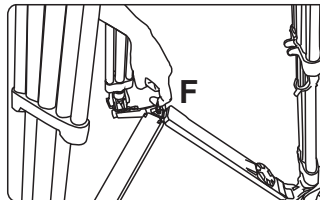
### 5. Install & Remove ground spreader

Illustration as follow pictures, pull the pad-removing tab "J", separate anti-sliding pad with leg.



### 6. Folding tripod

- Loose the locking knobs of each stages and adjust the legs to minium length, then locking all the knobs.
- Adjust the mid-spreader or ground-spreader to minium length, then locking all the knobs.
- One hand catch the bowl base, another hand pull the ring of ground spreader "F" and fold it. Then pull out retractable easy hook "D" and wrap around legs and bind them together.







### Daily maintenance:

Storage and transport:

- When not using head for a long time, please turn all the knobs to the minimum.
- When not using tripod, please don't place vertically to avoid the broken
- When not using tripod or transportation, please keep it in the carry bag.

Function inspection:

- Please check the tripod payload and head locking condition, in order to avoid the accident
- Please check and adjust tripod and head locking condition regularly, in order to increase service life.

Cleaning & Maintenance:

- 1, Using a regular with a lint-free cloth to clean tripods.
- 2, Please keep it in carrying case if not use it for long time.
- 3, Using a semi-stiff brush or vacuum

Always engage safety locks and devices where applicable on the products.

Don't use product at temperatures less than  $-30^{\circ}$  or more than  $60^{\circ}$ .  
Cleaning with mild detergent and a soft cloth. Remove dust and sand from all locking threads and sliding segments.  
Dry the product after use in wet conditions.

**IMPORTANT;** Not recommended to use in seawater

If any questions during using process, please read the instruction carefully or ask help from your local distributor.

In the event on the product becoming defective, the unit should be returned to an authorized E-IMAGE service agent.

