



SUPPORT YOUR IMAGE

NINGBO EIMAGE STUDIO EQUIPMENT CO., LTD.

Add: No.1230 South Cihai Rd, Luotuo Industry zone, Zhenhai,

Ningbo, China. 315202

Tel: +86-574-86590031/86590061

Fax: +86-574-86590078

E-mail: sales@eimagevideo.com

Visit www.eimagevideo.com for more information



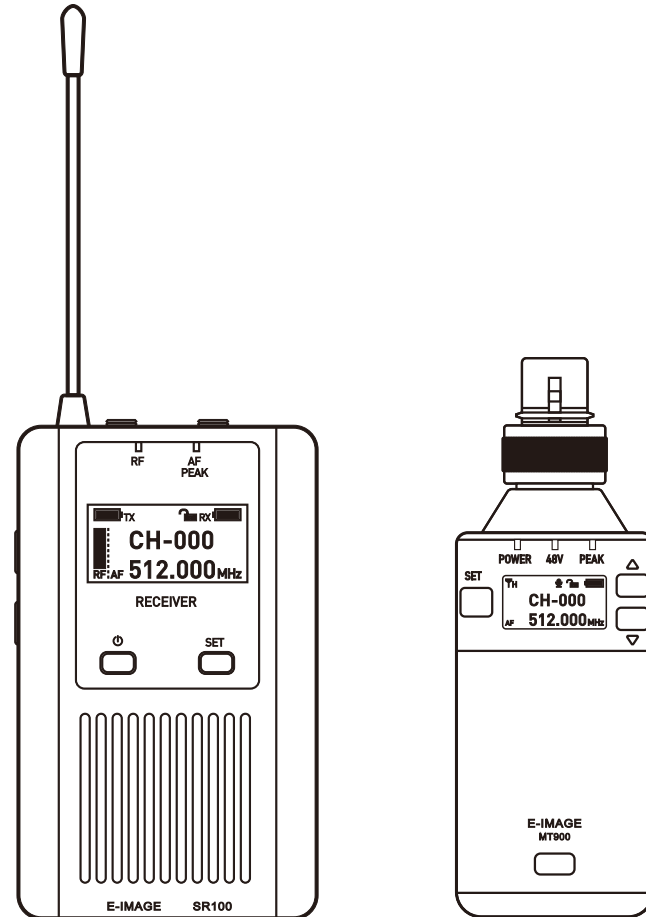
E-IMAGE
Official QR Code



The magic life in the image world

E-IMAGE

STR-20 (SR100+MT900)
Single-channel Wireless Kit



www.eimagevideo.com

Contents

Important Safety Tips	2
Standard Use	2
Packing List	3
Function Indication	4
Operating Instructions	5-7
Operating Instructions SR100	
Receiver screen display	5
Battery display instructions	6
Back clip installation	6
Installation and use of cold shoes	6
Transmitter connection equipment	7
Receiver connection equipment	7
Paired transmitter attention	7
Operating Instructions	8-10
Operating Instructions MT900	
Plug in transmitter screen display	8
Battery installation and removal	9
Connection indication	9
Preparation before using plug-in transmitter	10
Plug in transmitter application	10
Technical Data	11
Precautions	12
Warranty Card	13

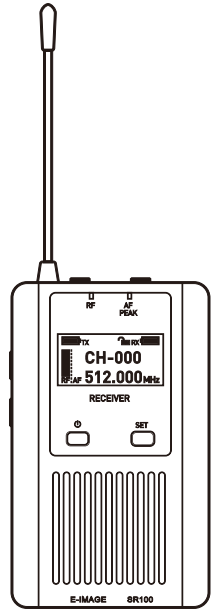
Important Safety Tips

- First of all, thank you for choosing our products. Please read the guide carefully before using this product.
- Please keep the instructions properly. Please always give this product to other users together with the instructions.
- Please pay attention to all warnings and follow all instructions in the instructions.
- Clean the equipment with a soft cloth.
- Do not place the product near heat source, such as radiator, oven or other devices (including loudspeakers).
- Only use additional equipment and accessories matched by the original company.
- All maintenance work must be carried out by specially trained maintenance personnel.
- If the product is damaged in any form, such as liquid or foreign matter penetration or rain, can not work normally or accidentally fall, it must be maintained.
- Warning: do not use this product near water. Do not use the product in rain or wet environment. Otherwise, there is a risk of short circuit.

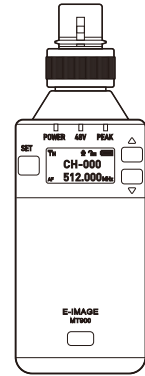
Standard Use

- Read the instructions carefully, especially the "important safety tips" on this page
- Use the equipment only in accordance with the operating conditions in this instruction manual.
- If you do not use the equipment according to the instructions or do not comply with the working conditions in the instructions, it will be regarded as illegal use.

Packing List



SR100 x 1 PC



MT900 x 1 PC



TRRS Line (Connect Phone) x 1 PC



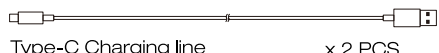
TRS Line (Connect Camera) x 1 PC



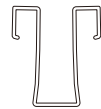
Clip Microphone x 1 PC



XLR Turn 3.5mm x 1 PC
(Connect the mixer and other equipment)



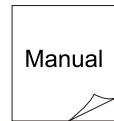
Type-C Charging line x 2 PCS



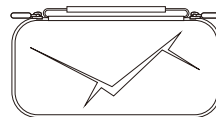
Back Clip x 1 PC



Cold Boots x 1 PC



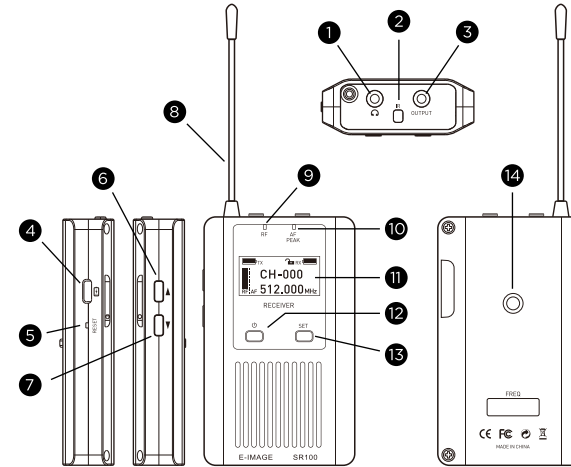
User Manual x 1 PC



Carrying Bag x 1 PC

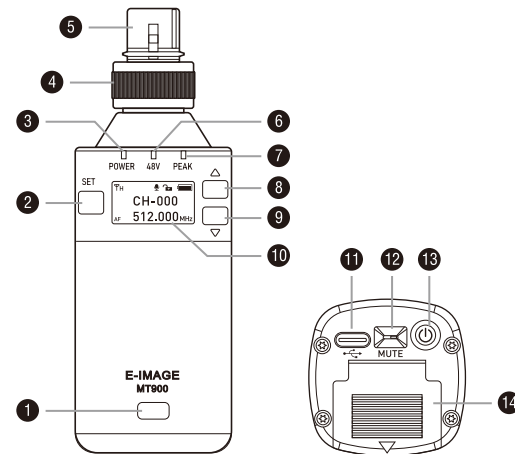
Function Indication

SR100



- ① 3.5mm Monitor Headphone Interface
- ② Infrared Matching Window
- ③ 3.5mm Audio Output Interface
- ④ Type-c Charging Interface
- ⑤ Forced Shutdown Button
- ⑥ Up Button: Up Menu / Up Page
- ⑦ Down Button: Down Menu / Next Page
- ⑧ Antenna
- ⑨ Radio Frequency Signal Indicator
- ⑩ Audio Indicator / Audio Peak Indicator
- ⑪ LCD Display
- ⑫ Switch / Mute Button
- ⑬ Set Button
- ⑭ 1/4 Screw (Cold Shoe Accessories)

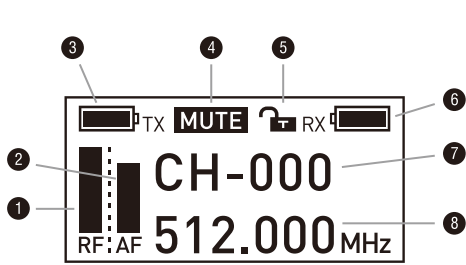
MT900



- ① Infrared Frequency Receiving Window
- ② SET Setting Key
- ③ Power Indicator
- ④ External Nut (Locking or Unlocking XLR Type Equipment)
- ⑤ Audio Input Connector (XLR Type Female)
- ⑥ 48V Phantom Power Indicator
- ⑦ Audio Indicator/Audio Peak Indicator
- ⑧ Up Button: Up Menu Adjustment/ Up Page
- ⑨ Down Key: Down Menu Adjustment/ Next Page
- ⑩ Lcd Display
- ⑪ Type-c Charging Interface
- ⑫ Mute (mute) Switch
- ⑬ Switch Key
- ⑭ Battery Compartment (2 X Aa 1.5v High Performance Alkalinebattery Or 1.2v ≥ 1800mah Nimh Rechargeable Battery)

Operating Instructions

SR100



- ① RF Level
- ② Audio Level
- ③ Transmitter Battery Display
- ④ Silent State
- ⑤ Lock / Unlock Status
- ⑥ Local Battery Display
- ⑦ Channel Display
- ⑧ Frequency Display

Function Key Indication

SET Key	Long Press	Enter the function Adjustment menu
	Short Press	① Confirm the selected function ② Exit function adjustment menu

Receivers Indicator

IR/RF	Green light long bright	Normal working state
	Green light twinkle	No received signal
AF	Green light long bright	Sound signal
PEAK	Red light long bright	Audio peak

Setup

CH-000
512.000MHz

100 channels adjustable
Frequency follows change

Setup

Volume 15

Output volume adjustment 0-15

Setup

Auto scan
CH-001

Automatically search frequency band with less interference

Setup

Sync

Transmitter and receiver IR windows are facing each other. Infrared matching frequency band

Setup

Backlight 15s

The screen light shows time
0s / 15s / 30s / 45s / 60s

Setup

Reset? No

After restoring factory settings
It is the factory initial state

Setup

Language (语言)
English

Language switch between
Chinese and English

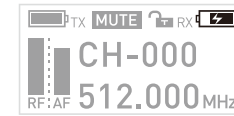
Setup

Lock Yes / No

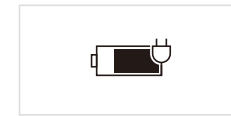
It cannot be changed after
locking Any settings

Battery display instructions

- About 70% Power
- About 30% Power
- The battery is running out and the screen is not working flashing indicates charging is required

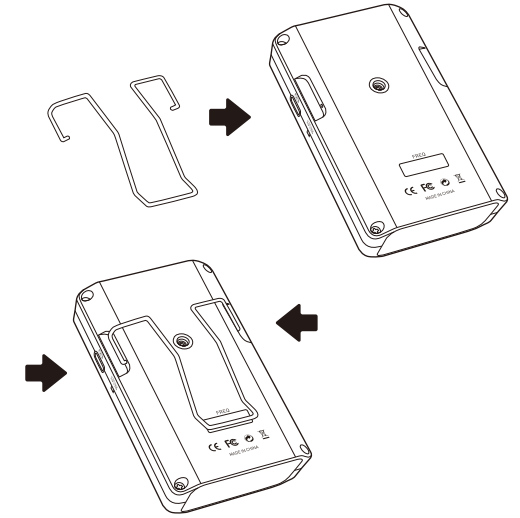


Power on charging display status

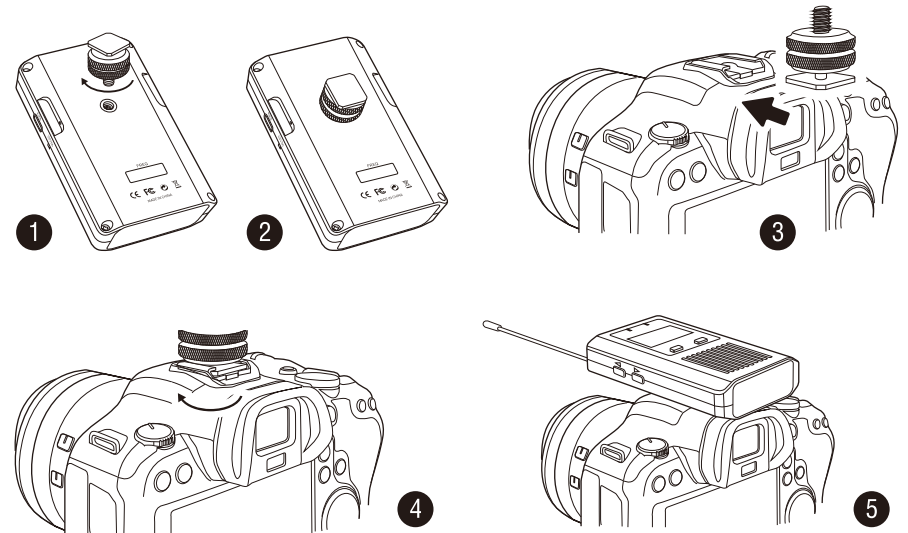


Power off charging display status

Back clip installation

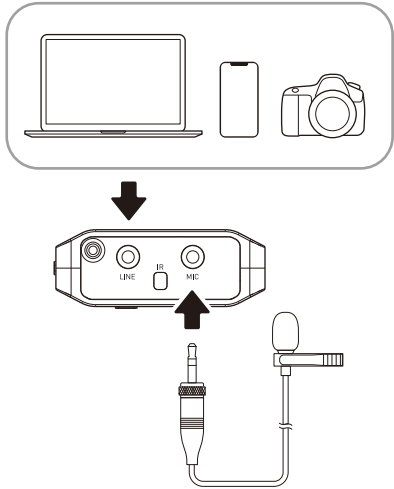


Installation And Use Of Cold Shoes

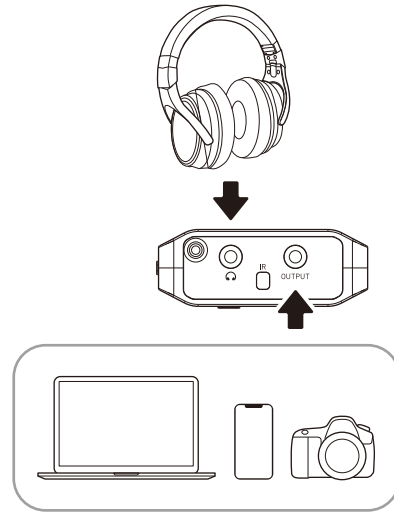


Operating Instructions

Transmitter Connection Equipment

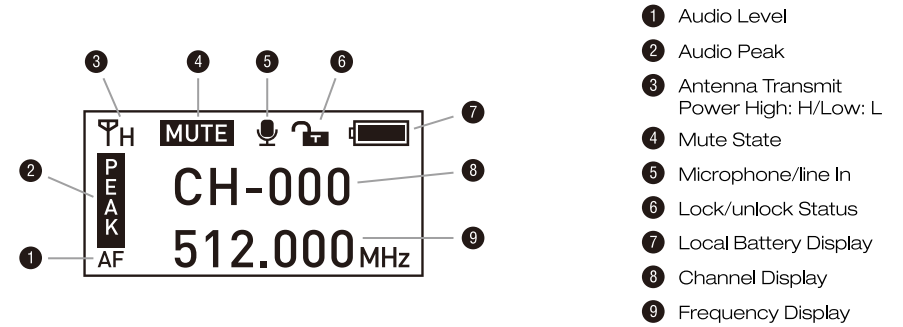


Receiver Connection Equipment



Operating Instructions

MT900



- ① Audio Level
- ② Audio Peak
- ③ Antenna Transmit Power High: H/Low: L
- ④ Mute State
- ⑤ Microphone/line In
- ⑥ Lock/unlock Status
- ⑦ Local Battery Display
- ⑧ Channel Display
- ⑨ Frequency Display

Function Key Indication

Set Button	Long Press	Enter the function Adjustment menu
	Short Press	① Confirm the selected function ② Exit function adjustment menu

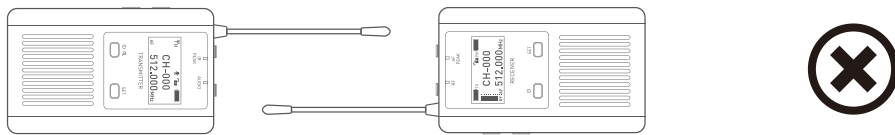
Indicator Light Indication

POWER	The green light is always on	Normal opening
	Green light flashing	Turn on mute state
48V	The blue light is always on	Turn on 48V phantom power
PEAK	The red light is always on	Audio peak

Paired Transmitter Attention

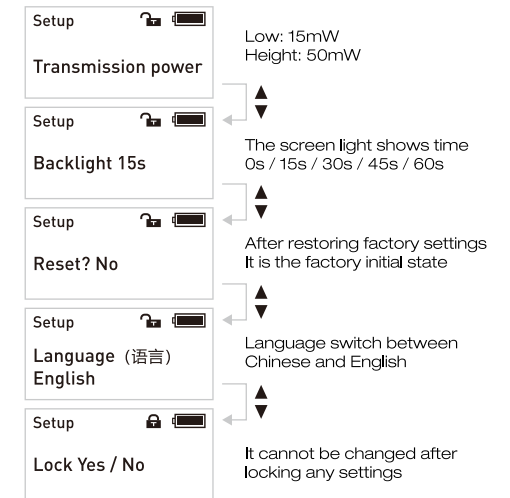
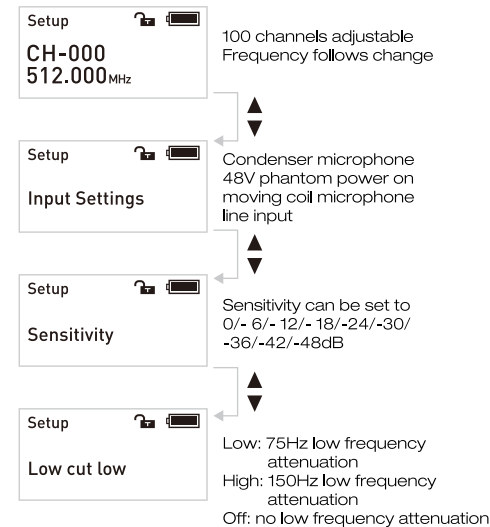
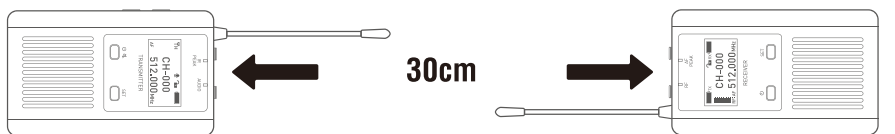
Wrong Pairing Distance

If the pairing distance is too close and the signals interfere with each other, the screen will prompt pairing failure.



Correct Pairing Distance

The best matching distance between transmitter and receiver is 30cm.

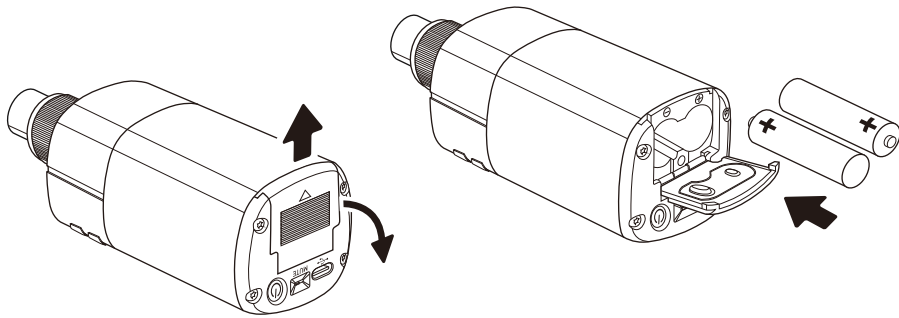


Preparation Before Using Plug-in Transmitter

Battery Installation And Removal

The portable receiver uses AA 1.5V battery or 1.2V ≥ 1800mAh NIMH rechargeable battery as the power supply.

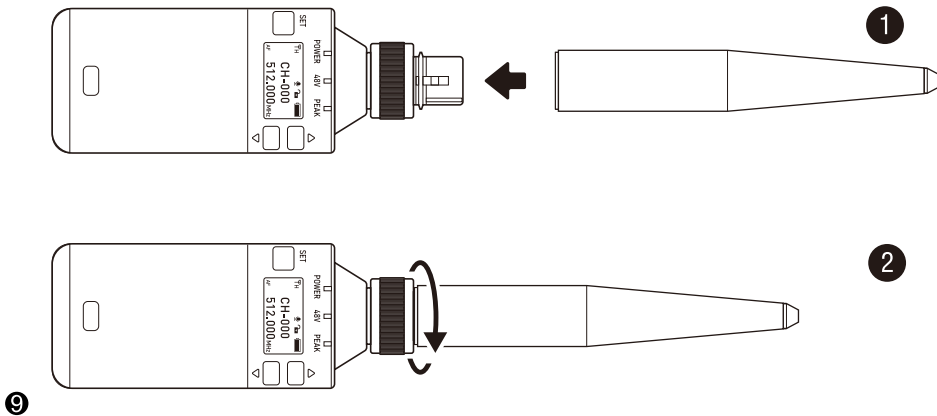
- ① Push out the battery cover with your finger in the direction indicated by the arrow, and pull the battery cover outward.
- ② Install the battery or rechargeable battery into the battery box, and pay attention to the positive and negative poles of the battery.
- ③ Close the battery box, and the battery box cover clicks when it is closed.



Connection Indication

Docking Microphone

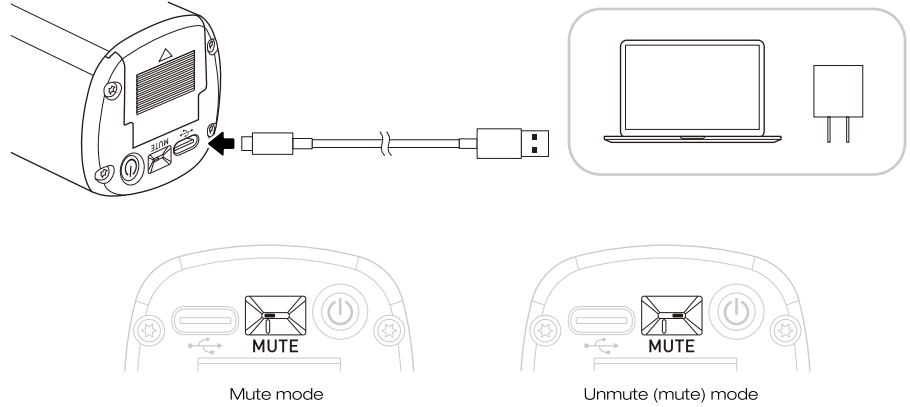
- ① Push the microphone connector into the audio input connector of the plug-in transmitter in the direction of the arrow, until it clicks.
- ② Rotate in the direction of the arrow, and push the outer nut close to the microphone connector to lock it.



Preparation Before Using Plug-in Transmitter

⚠ Notes On Charging Connection

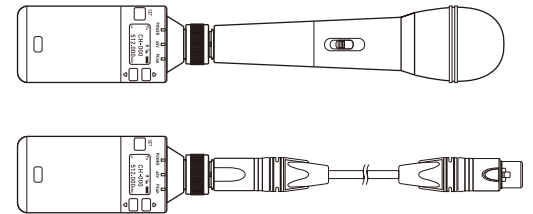
Charger requirements: DC 5V 1000mA (Only rechargeable when using 1.2V NIMH rechargeable battery).



Plug In Transmitter Application

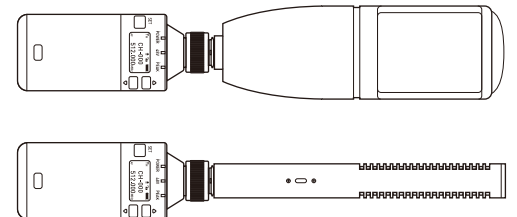
Devices Without 48V Phantom Power

Wired dynamic microphone or various sound sources LINE output (XLR type) is used together.



Devices Turn 48V Phantom Power

Wired interview microphone, large diaphragm condenser microphone and The use of capacitive pickups for many musical instruments.



Technical Data

Model	SR100
Channel	100CHs
Wireless Frequency Range	UHF500~900MHz
Frequency Response	60Hz~15KHz
Signal/Noise	≥85dB
Stray Radiation	< -60dB
Audio T.H.D	< 0.5%@1KHz
High pass filter	-75Hz(Low) / -150Hz(High)
Audio Output	Mono
Display Screen	LCD
Working Distance	In line-of-sight area(120m) / In barrier area(60m)
Power	Type-C 3.5 hours full,DC 5V@1000mA
Battery	Built-in li-ion battery,3.7V,1800mA/Hour
Working time	10Hours
Size	96x60x19mm
Operating Temperature	0-50°C
Material	Aluminum

Model	MT900
Frequency Range	UHF500-900MHz
Receiver	AWM-U1
Input socket	XLR
Transmitter power	10mW~30mW
Harmonic radiation	<-55dBc
Input Mode	Mic / Line
Max Input	MIC=130mV@1KHz / LINE=1500mV@1KHz
Maximum offset	± 45KHz@1KHz
Phantom power voltage	+48V
Battery	AA1.5V/1.2V Ni-MH battery
Charging Mode	Type-c DC5V@≥1000mA
Size	44x44x110mm
Operating Temperature	0-50°C
Material	Aluminum

Precautions

Please pay attention to the following tips when using the transmitter and receiver.

Use only transmitters and receivers with the same frequency range (see transmitters and Band label on the back of the receiver) to ensure that the required frequency is included in the attached in the frequency data sheet, ensure that the required frequency is allowed in the place of use, if necessary to apply for a use license.

In the factory state, the transmitter and receiver have completed pairing settings with each other, such as If the connection between the transmitter and receiver cannot be established, please re pair the settings standby channel.

Usage suggestions

Properly modulate and connect the transmitter and receiver to obtain the best sound effect.

For best reception

The signal range of the transmitter and receiver depends on the conditions of the place of use, and may between 5m and 100m; there should be no obstruction between transmitter and receiver. Obstacle of line of sight, the distance between transmitter and receiver shall be kept at a maximum of 2m. Small spacing, which can avoid overshoot of the radio signal of the receiver.

Operation for multi-channel devices

When using multiple transmitters, avoid transmission lines formed by short transmitter spacing. The channel interference shall be kept at least 50 cm between each transmitter and receiver distance.

Warranty Card

Customer Information

Customer Name	Contact No.
Address	

Sales Manager

Sales Date	Dealer
Dealer Contact No.	

#1 Maintenance Record

Service Date	Signature of Repairman
Cause of Problem	
Service Result: <input type="checkbox"/> Solved <input type="checkbox"/> Unsolved <input type="checkbox"/> Refunded/ Replaced	