



The magic life in the image world

E-IMAGE



MONITOR CAGE

Q200

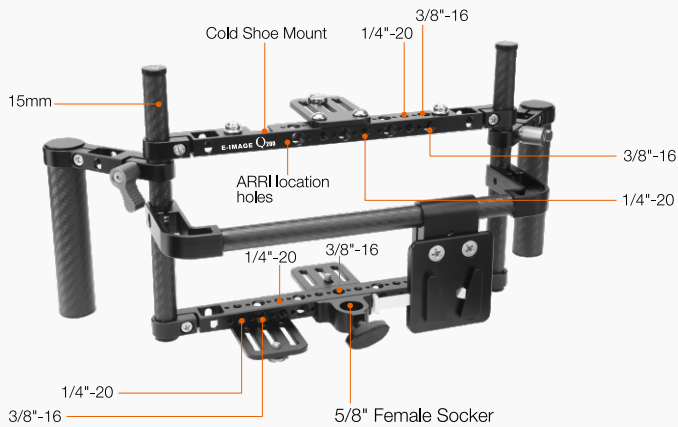
Lightweight **830g**

Durable

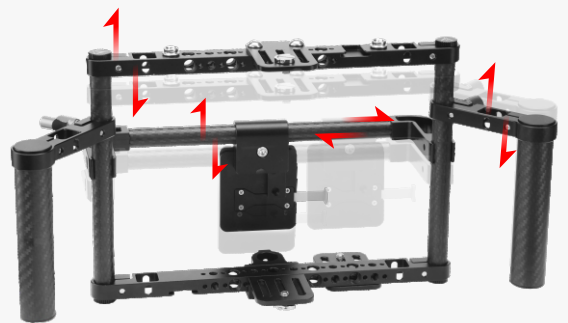
Compatible

E-IMAGE Q200 is engineered to be universally compatible with any monitor up to 9 inches (measured diagonally) and attaches via top, bottom, or rear 1/4"-20" mounting locations. New design provides 40% weight reduction compared to the previous model and adds unique new features like a dual direction swing away bracket, quick release neck strap, dual teradek mounting areas and carbon fiber handles.

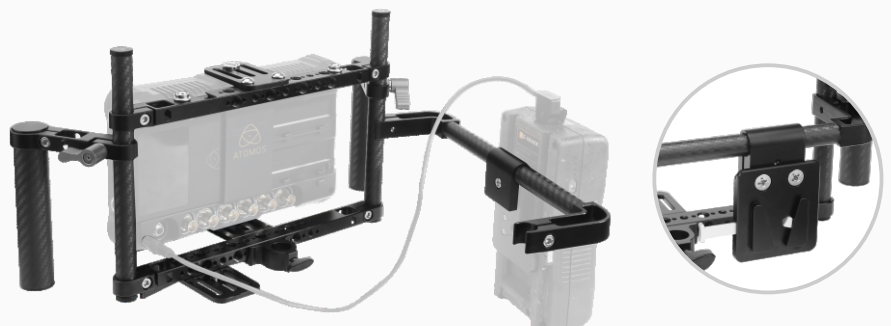
1 Multiple standard screw holes for attaching different accessories.



2 Easy adjustable structure makes it compatible with variety of monitors.



- 3 V-mount battery plate is mounted.
- 4 Plenty back space for wireless equipment and others.
- 5 Swing-away bracket provides easy access to the back.





6 Hi-strength carbon fiber material.



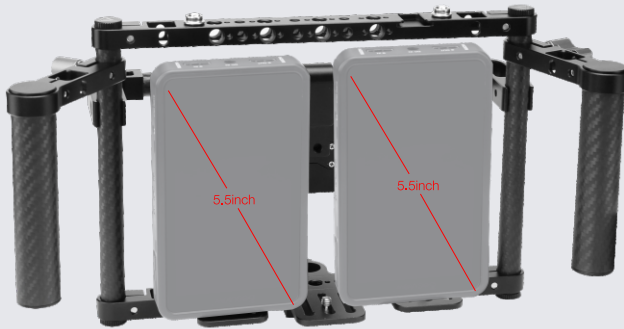
7 Quick mounting on stands.



8 Enclosed sunhood for 7 inch monitors.
*The sunhood is universal design for 7" monitors, but not 100% fit each monitor.



9 Padded quick release neck strap is included.



10 The monitor cage also support 2pcs 5.5inch monitors by vertical mounted.

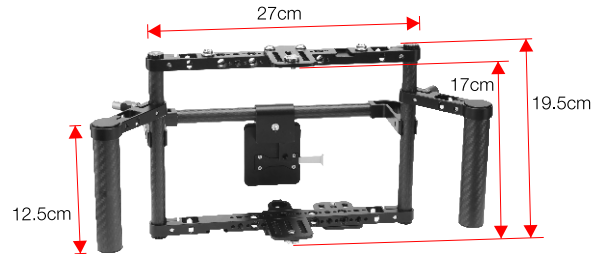
Q200



*The sunhood is universal design for 7" monitors, but not 100% fit each monitor.

What's included

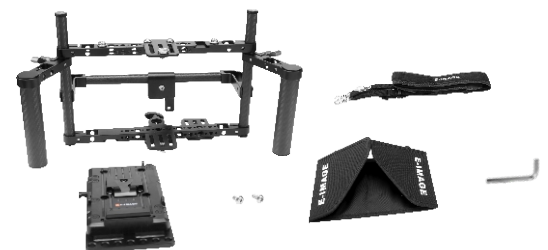
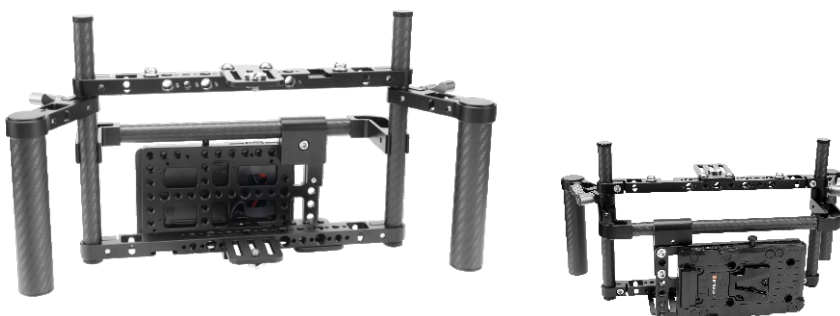
Q200	x1
Sunhood	x1
Padded neck strap	x1
4mm Hexagon wrench	x1



Specifications

Net Weight: 830g / 1.8lb

Q200P



What's included

Q200	x1	Padded neck strap	x1
APM-09	x1	4mm Hexagon wrench	x1
Sunhood	x1	Screw	x2