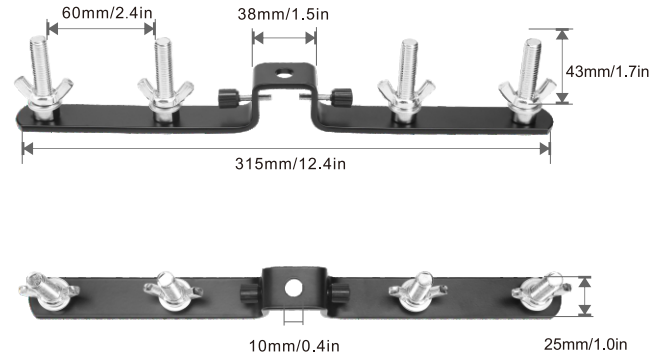
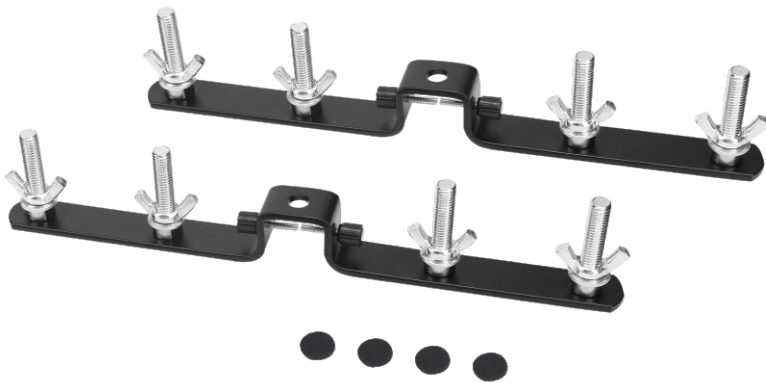
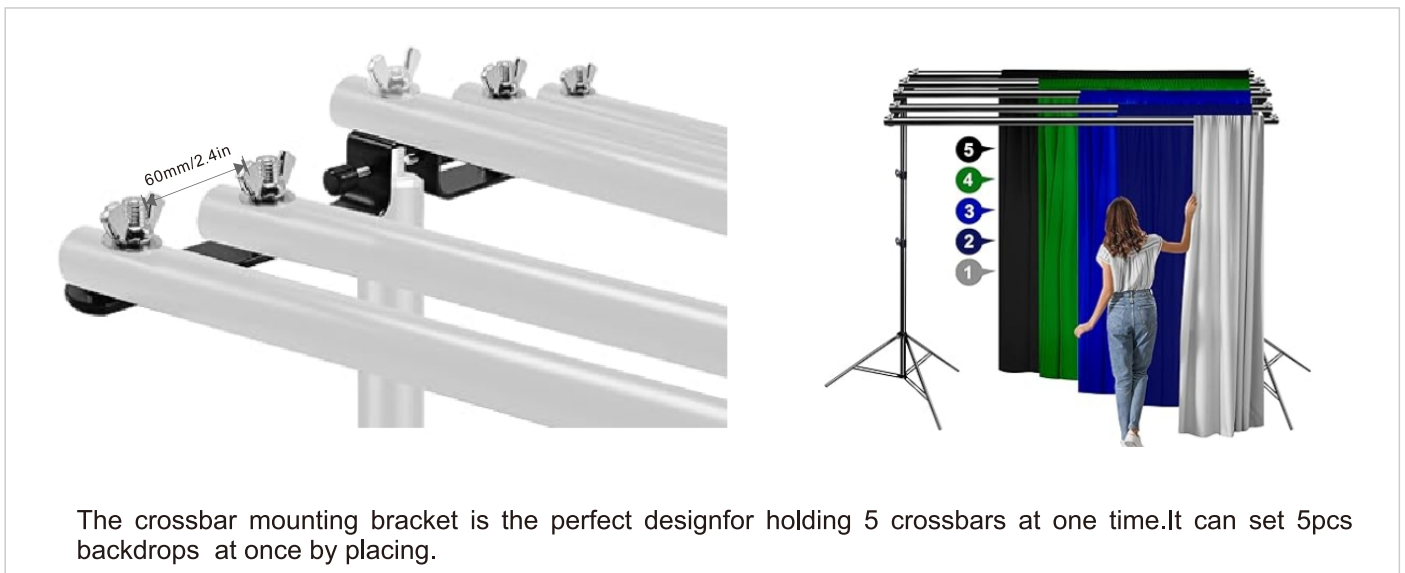


901AS-02 Crossbar Mounting Bracket

The crossbar mounting bracket is the perfect design for holding 5 crossbars at one time. It can help you change the backdrops faster and easier. It's made of aluminum material, easy to set up, stable enough. Applicable to various scenarios, such as family gatherings, weddings, professional photography as well as a celebration party.



Net Weight: 960g/ 2.1lbs



The crossbar mounting bracket is the perfect design for holding 5 crossbars at one time. It can set 5pcs backdrops at once by placing.



What's included

Crossbar Mounting Bracket x2pcs

Round Felt Pad x4pcs